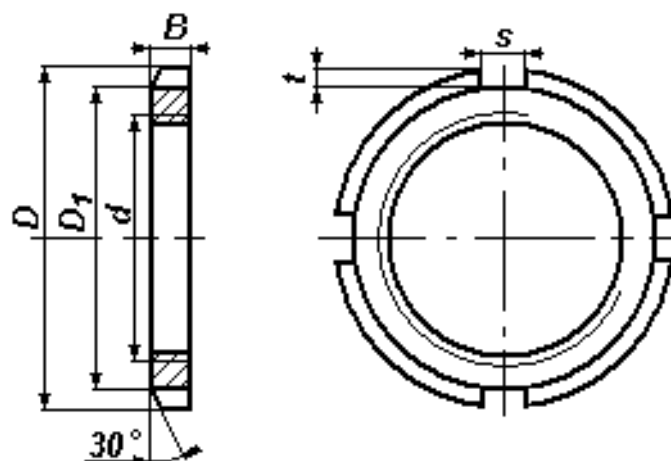


Nakrętki łożyskowe z gwintem metrycznym KM i KML



Oznaczenie	d	D	B	D_1	s	t	podkładka
KM0	M10x0,75	18	4	13,5	3	2,0	MB0
KM1	M12x1	22	4	17	3	2,0	MB1
KM2	M15x1	25	5	21	4	2,0	MB2
KM3	M17x1	28	5	24	4	2,0	MB3
KM4	M20x1	32	6	26	4	2,0	MB4
KM5	M25x1,5	38	7	32	5	2,0	MB5
KM6	M30x1,5	45	7	38	5	2,0	MB6
KM7	M35x1,5	52	8	44	5	2,0	MB7
KM8	M40x1,5	58	9	50	6	2,5	MB8
KM9	M45x1,5	65	10	56	6	2,5	MB9
KM10	M50x1,5	70	11	61	6	2,5	MB10
KM11	M55x2	75	11	67	7	3,0	MB11
KM12	M60x2	80	11	73	7	3,0	MB12
KM13	M65x2	85	12	79	7	3,0	MB13
KM14	M70x2	92	12	85	8	3,0	MB14
KM15	M75x2	98	13	90	8	3,5	MB15
KM16	M80x2	105	15	95	8	3,5	MB16
KM17	M85x2	110	16	102	8	3,5	MB17
KM18	M90x2	120	16	108	10	4,0	MB18
KM19	M95x2	125	17	113	10	4,0	MB19
KM20	M100x2	130	18	120	10	4,0	MB20
KM21	M105x2	140	18	126	12	5,0	MB21
KM22	M110x2	145	19	133	12	5,0	MB22
KM23	M115x2	150	19	137	12	5,0	MB23
KML24	M120x2	145	20	135	12	5,0	MBL24
KM24	M120x2	155	20	138	12	5,0	MB24
KM25	M125x2	160	21	148	12	5,0	MB25
KML26	M130x2	155	21	145	12	5,0	MBL26
KM26	M130x2	165	21	149	12	5,0	MB26
KM27	M135x2	175	22	160	14	6,0	MB27

KML28	M140x2	165	22	155	12	5,0	MBL28
KM28	M140x2	180	22	160	14	6,0	MB28
KM29	M145x2	190	24	171	14	6,0	MB29
KML30	M150x2	180	24	170	14	5,0	MBL30
KM30	M150x2	195	24	171	14	6,0	MB30
KM31	M155x3	200	25	182	16	7,0	MB31
KML32	M160x3	190	25	180	14	5,0	MBL32
KM32	M160x3	210	25	182	16	7,0	MB32
KM33	M165x3	210	26	193	16	7,0	MB33
KML34	M170x3	200	26	190	16	5,0	MBL34
KM34	M170x3	220	26	193	16	7,0	MB34
KML36	M180x3	210	27	200	16	5,0	MBL36
KM36	M180x3	230	27	203	18	8,0	MB36
KML38	M190x3	220	28	210	16	5,0	MBL38
KM38	M190x3	240	28	214	18	8,0	MB38
KML40	M200x3	240	29	222	18	8,0	MBL40
KM40	M200x3	250	29	226	18	8,0	MB40